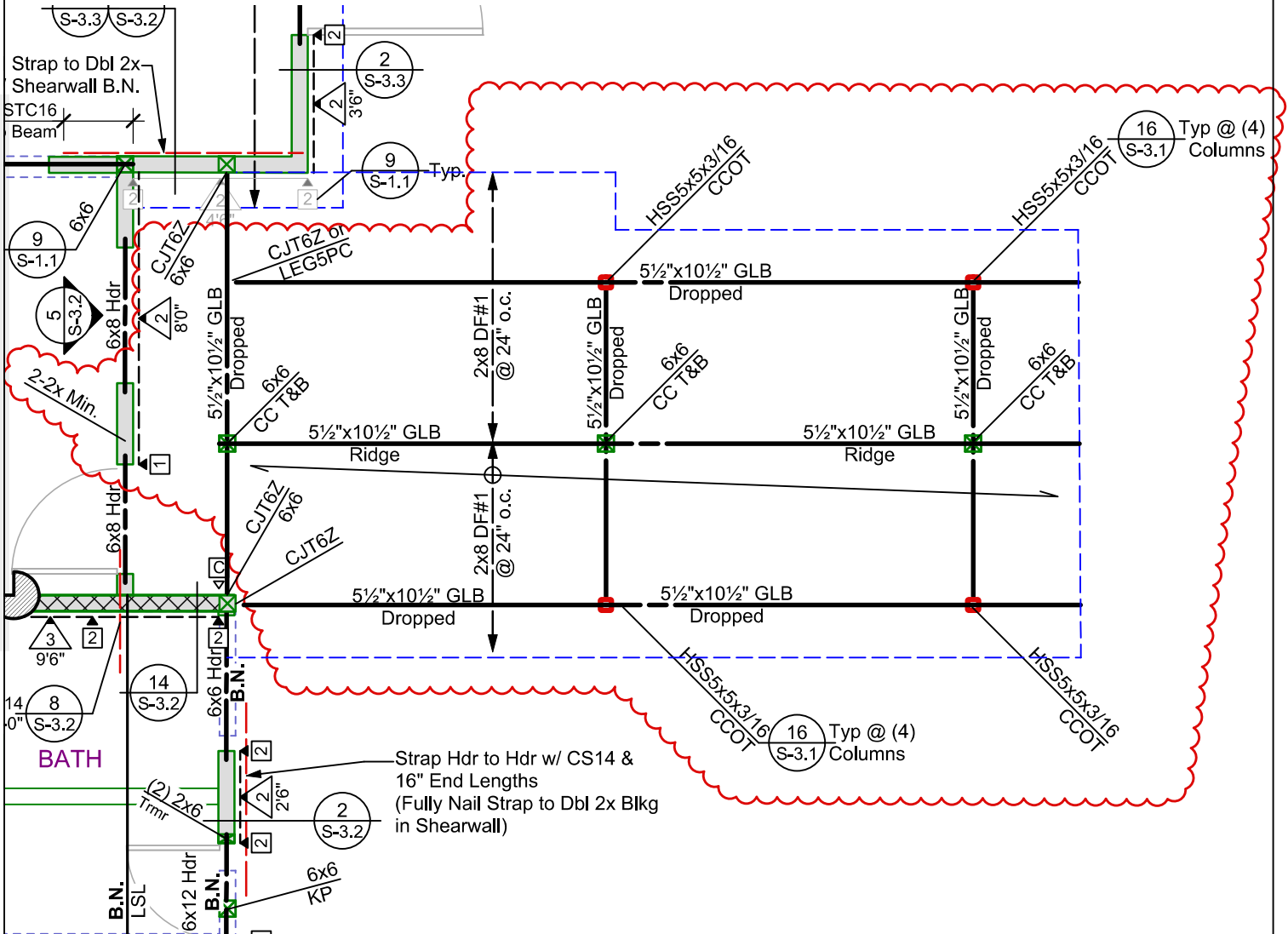
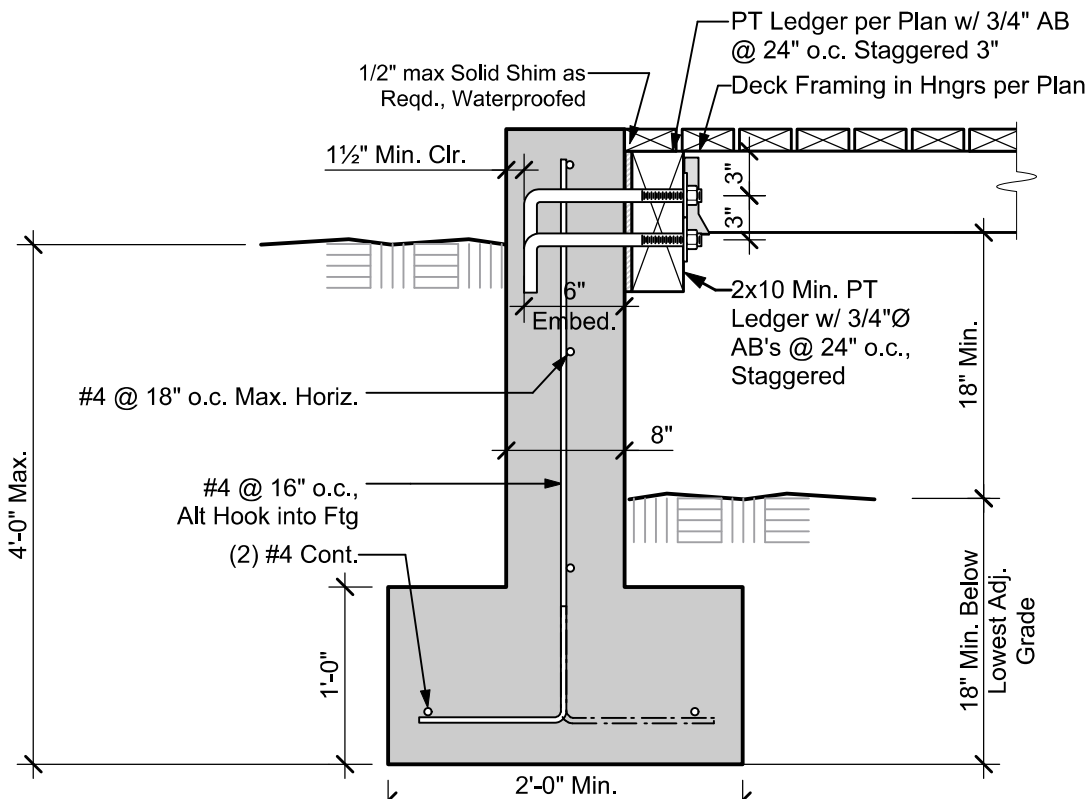


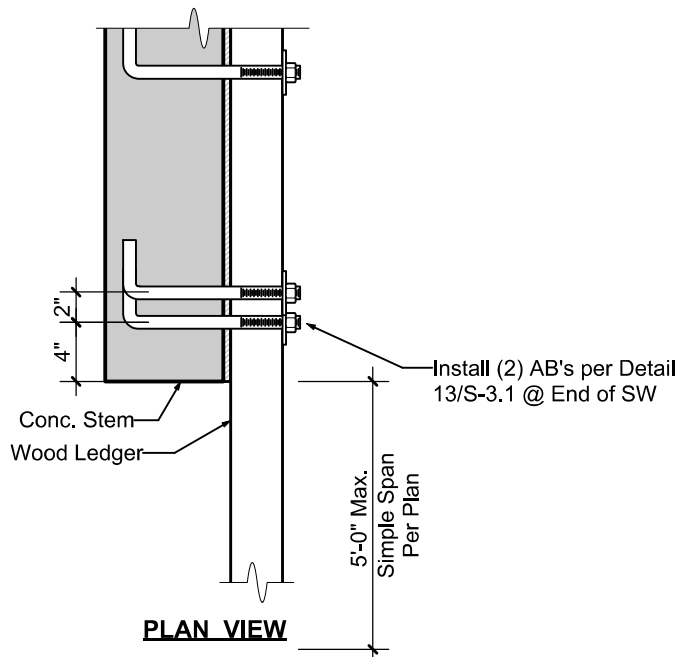
AMMENDED PLANS/S-2.1



**ADDITIONAL
DETAILS/S-3.1**

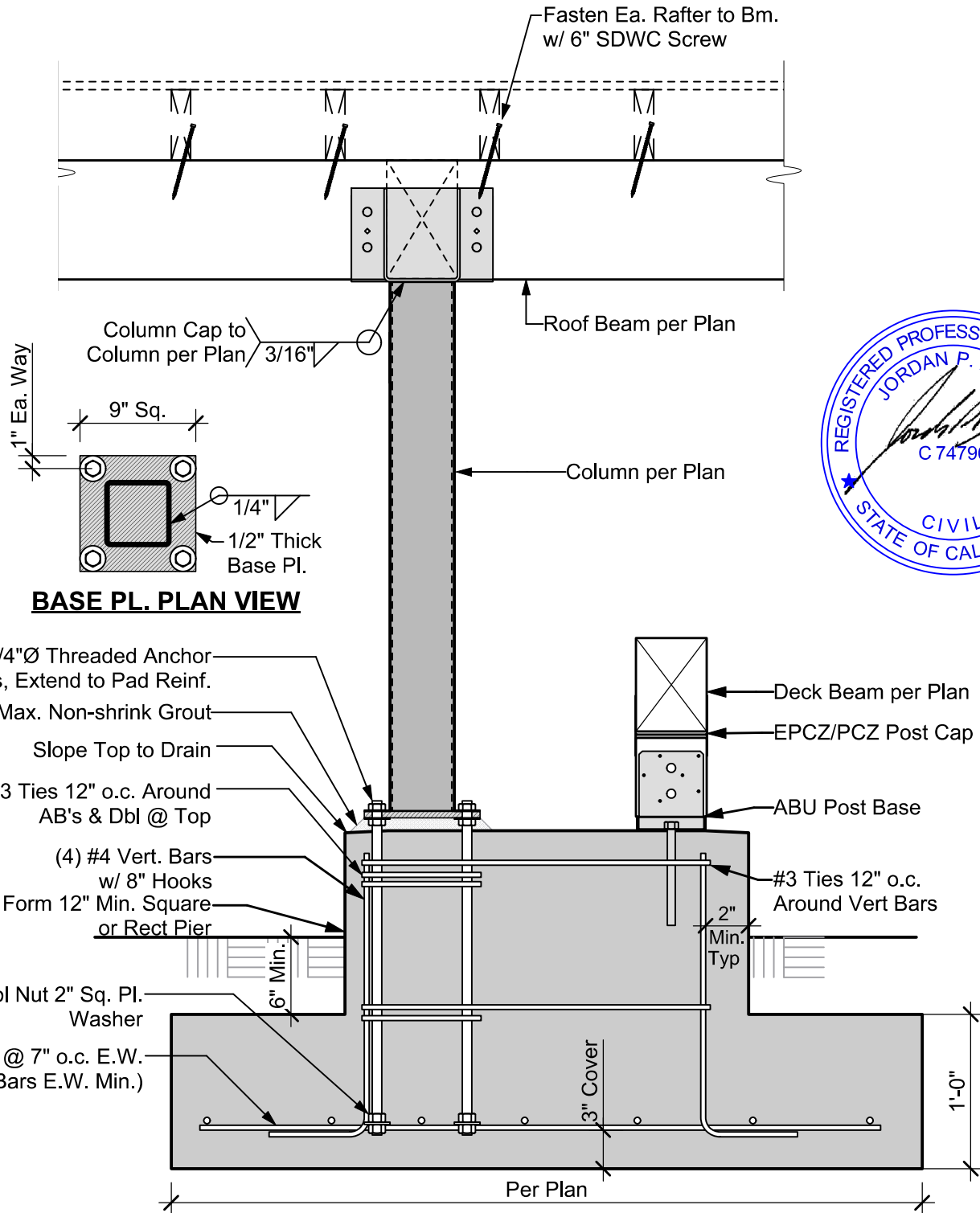


13 ENTRY DECK FOUNDATION



14 DBL BOLT LEDGER @ END OF STEM

ADDITIONAL DETAILS/S-3.1



BASE PL. PLAN VIEW